

NCi-524A-RF

Vandal-resistant fixed 5MP micro dome with IR and deep learning



Main Features

- Compact outdoor-ready micro dome design
- Analytics with deep learning minimize false alarms (ONVIF® Profile M)
- Edge storage enables failover recording (ONVIF® Profile G)
- Easy, flexible installation with 3-axis adjustment
- IP67 weatherproof, IK10 vandal resistance
- NDAA Compliance



Product Overview

Powerful deep learning-based edge analytics detect critical events for real-time response. With audio and I/O connectivity for extended system integration, it delivers next-generation proactive security. Featuring LightSolver II™, WDR and Smart IR+, it captures clear, detailed video under challenging lighting conditions or in complete darkness. Its compact, discreet design and robust IP67 and IK10 ratings allow unobtrusive installation in high-risk, vandal-prone environments such as correctional facilities, perimeter security zones, defense installations, and critical infrastructure sites.

H.265

H.265 is the latest next generation of video compression technology. This technology could reduce bandwidth to perform excellent video compression rate with lower storage consumption. This new technology can save over 50% data flowloading. This helps to enhance IP camera total system performance dramatically.



Next-generation edge analytics

The camera performs real-time deep learning-based detection and classification while filtering out irrelevant motion. This reduces false alarms and generates actionable metadata for faster investigations and smarter automation. Edge processing also reduces bandwidth usage and improves response times, creating an efficient platform for intelligent security systems and future AI-driven applications.

DOL WDR @30fps

DOL WDR can overcome challenging lighting conditions. It is capable of capturing both dark and bright part then combining the differences into a scene to generate a highly realistic image.

Smart IR

Smart IR is superior to the traditional IR by automatically adjusting IR output in response to the distance of the object in view. The closer the object, the dimmer the IR will be. This will avoid object over-exposure and commonly be seen in cameras using traditional IR functions. Over-exposure makes it almost impossible to accurately recognize human faces or other vital characteristics.

Specifications

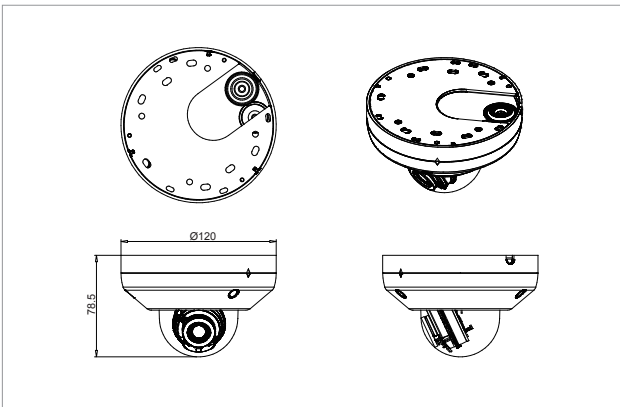
Camera General Information

Image Sensor	CMOS Progressive 1/2.8" , Sony IMX675
Resolution	2592 x 1944
Lens	Fixed lens 2.8mm F1.6
Field of View	H: 96.9°, V: 73.1°, D: 122.9°
Day and Night	True Day / Night
Smart IR	Effective distance is up to 30M
WDR	Up to 120 dB depending on scene
Minimum Illumination	Color 0.15 lux
Image Enhance	Brightness, Contrast, Saturation, Sharpness, Mirror, Flip, Corridor, Anti-flicker, BLC, AWB
Defog	Support
Analytics (In-house VA)	Line Crossing, Object-Counting, Zone Object-Counting, Zone Intrusion, Loitering, Wrong Way, Left, Remove

Video and Audio

Video Compression	H.265 / H.264 / M-JPEG
Smart Compression	Smart GOP
Video Resolution	2592 x 1944 to 640x480
Video Quality	CBR, VBR, MJPEG
Frame rate (Max Resolution)	Up to 30fps
Frame rate (Multi-Stream)	Up to 30fps 2592x1944 (H.265/H.264)+ 30fps 1280x720 (H.265/H.264) + 15fps 640x480 (MJPEG)
Audio Streaming	Two-way (option)
Audio Compression	G.711(A-Law/U-Law)

Dimension Drawing



Network

Interface	10/100 Mbps Ethernet, RJ45
Browser	Edge, Chrome, Firefox, Safari
ONVIF	ONVIF S, G, T, M

Event Management

Event Trigger	Motion detection, Tampering Alarm, Alarm In
Notifications	Send message via e-mail/ Record to FTP/NAS/ SD card, record JPG/mp4

General

Power	PoE IEEE 802.3af, Class 3
Power Consumption	PoE: 5.11W DC12V: 5.4W
Audio In/Out Port	Line-in x 1 ; Line-out x 1 (Option)
DI/DO	DI x 1 ; DO x 1 (option)
Storage	MicroSD/SDHC/SDXC, up to 1.5TB *1
Operating Temperature	-20°C to 60°C, IR off -20°C to 40°C, IR on
Storage Temperature	-20°C to 60°C (-4°F to 140°F)
Humidity	10-90% RH(non-condensing) (from 50°C drop to -10°C within 3 hours)
Regulation	CE/FCC/UL/UKCA
Waterproof	IP67
Vandal Resistant	IK10
Application	SDK available for application development

Packaging Information

Weight	Unit: 0.94lbs (0.427 kg) Package: 1.57 lbs(0.712 kg)
Dimension	Unit: Ø4.72" (120mm) x 3.09"H (78.5mm) Package: 184.5*167*162